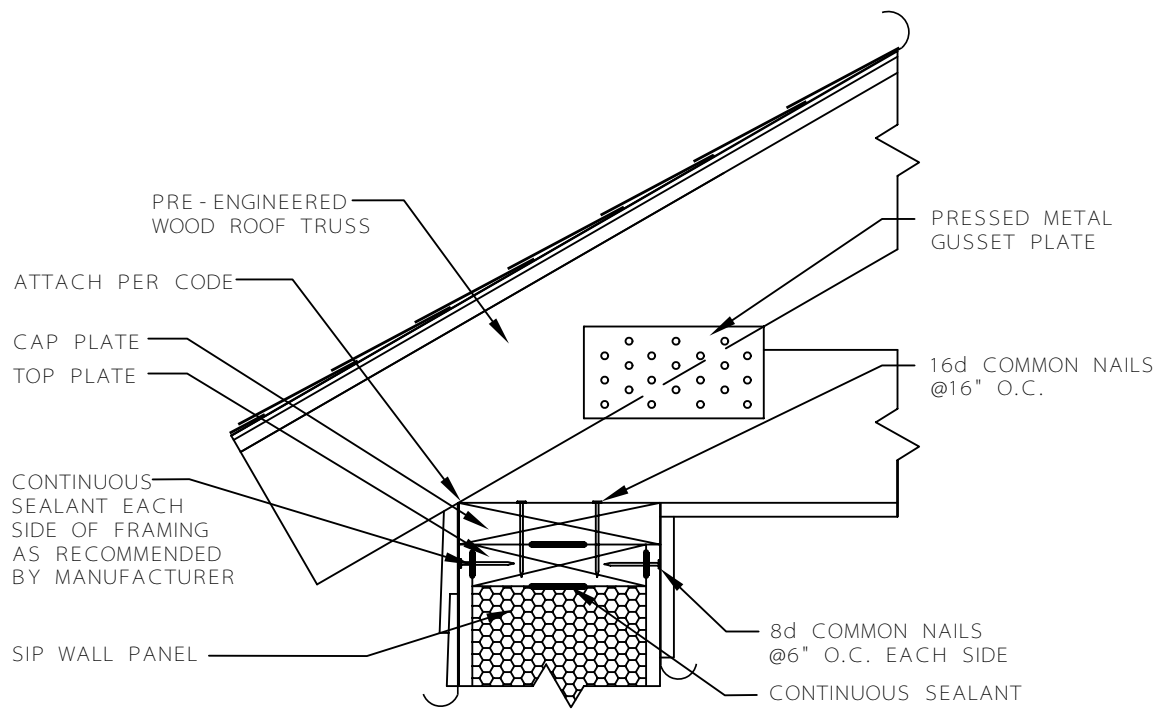


## ROOF-TO-WALL TRUSS CONNECTION



**ROOF-TO-WALL TRUSS CONNECTION**

