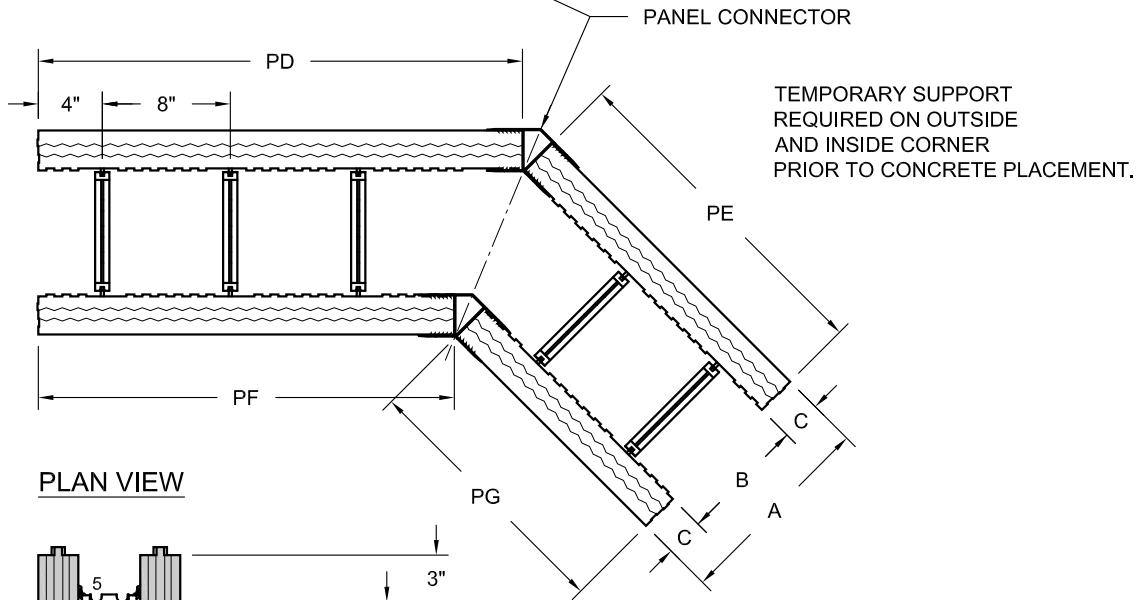
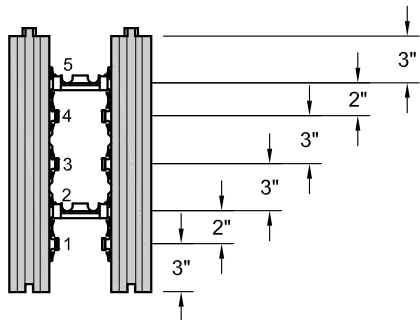


SIDE ELEVATION



PLAN VIEW



CONNECTORS

45° PANEL CONNECTOR

Form Type	Dimensions						
	A	B	C	PD	PE	PF	PG
4"	9"	4"	2-1/2"	16"	32"	13-1/4"	29-1/4"
5"	10"	5"	2-1/2"	16"	32"	13"	29"
8"	13"	8"	2-1/2"	18-3/4"	29-1/4"	14-1/2"	25"
10"	15"	10"	2-1/2"	19"	29"	13-3/4"	23-3/4"

NOTE:
 1. PD, PE, PF AND PG ARE CUT DIMENSIONS OF THE STANDARD ARXX EDGE PANEL.
 2. FOR 6" WALL USE 45° ARXX EDGE BLOCK. (SEE FIGURE 1.1.3-2)