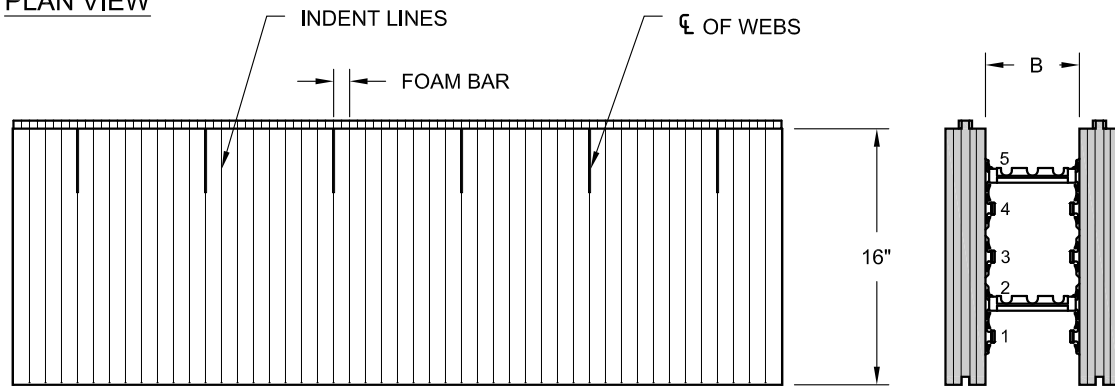
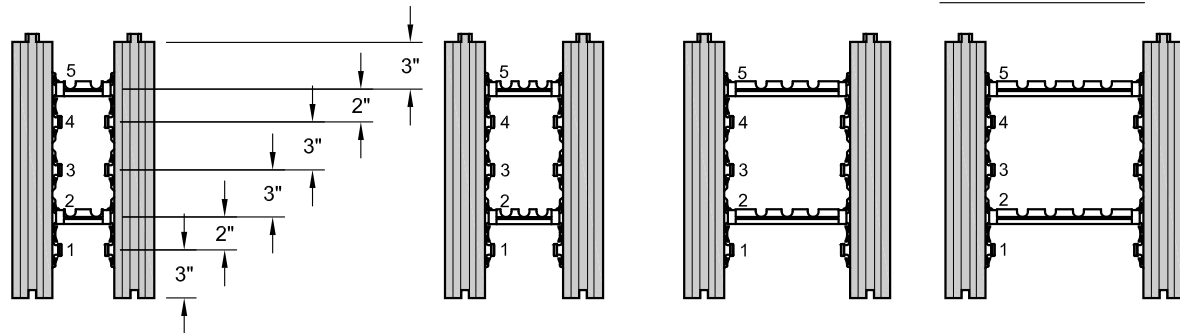


PLAN VIEW



SIDE ELEVATION

6" CONNECTOR



4" CONNECTOR

5" CONNECTOR

8" CONNECTOR

10" CONNECTOR

Form Type	Dimensions			Web Spacing	Wall Area/form (sf)	Concrete Volume/form (cu yd)	Recycled % by Wt.	Approx. Form Wt. (lbs)
	A	B	C					
4"	9"	4"	2-1/2"	8"	5.33	0.0700	43.4	7
5"	10"	5"	2-1/2"			0.0850	41.75	
6"	11"	6"	2-1/2"			0.1000	42.3	
8"	13"	8"	2-1/2"			0.1300	41.2	
10"	15"	10"	2-1/2"			0.1600	40.3	

CONNECTORS - 1ST COURSE, 3 ROWS = 18 CONNECTORS. NEXT COURSE, 2 ROWS = 12 CONNECTORS PER FORM EDGE FORMS AVAILABLE IN WIDER CONCRETE CORE SIZES, SEE SECTION 1.1.8